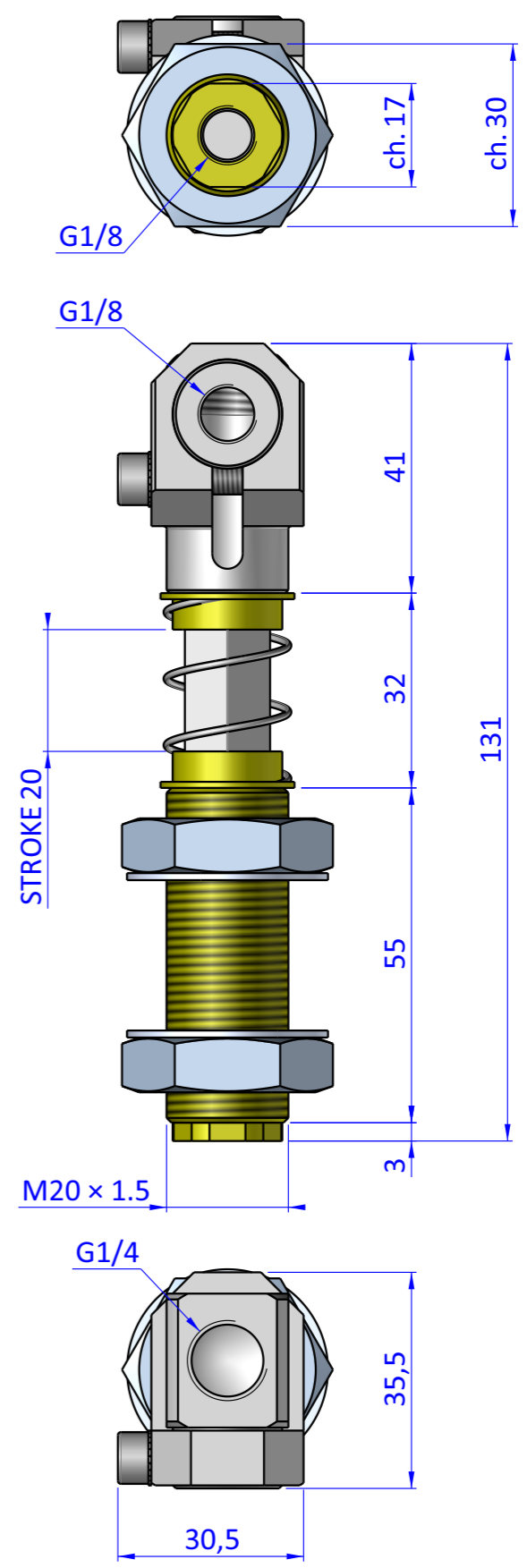
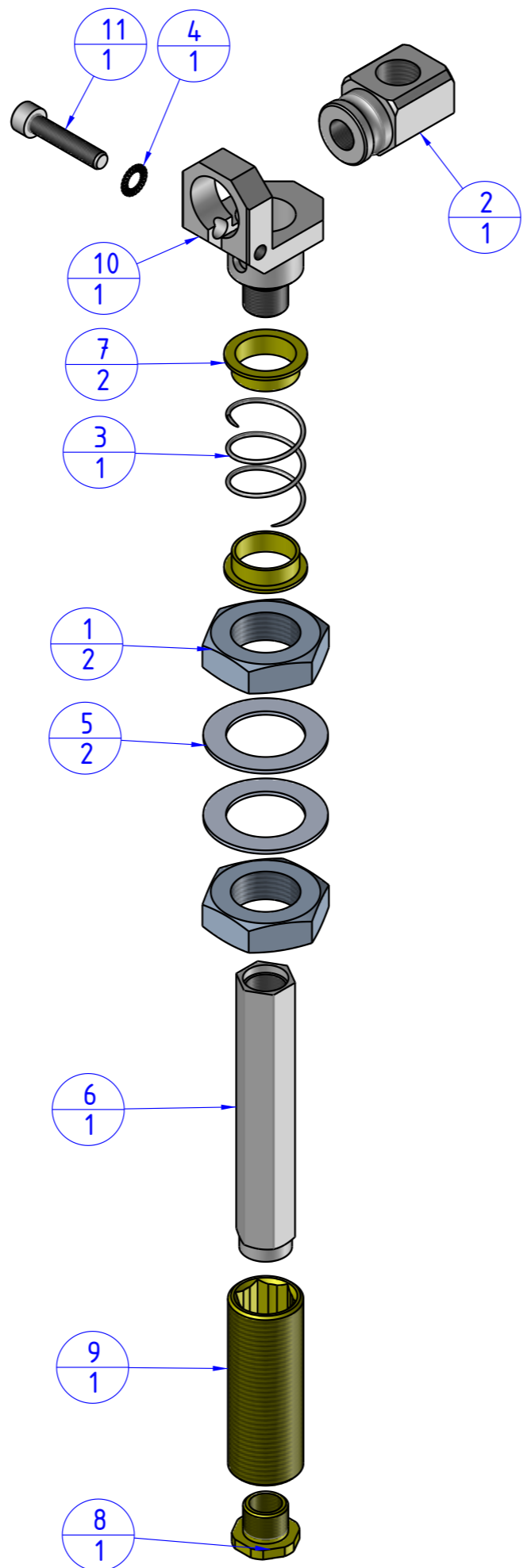



THE PROPERTY OF THE DRAWING IS ESTABLISHED BY LAW. IT IS FORBIDDEN TO PRODUCE OR SHOW IT TO THIRD PART. WITHOUT A WRITTEN AGREEMENT.

Item	Name	Q.ty
1	05.02.001.06	2
2	GGB.20.14.18	1
3	M.21x44	1
4	R.5.SCH	1
5	R.20.SCH	2
6	SAE.20141825.2	1
7	SAE.20141825.4	2
8	SAE.20141825.5	1
9	SAEG.20141825.3	1
10	SAS.20.1	1
11	V.TCE5x25	1



Format A3
UNI 936-76

 FPS FPSERVICES AUTOMATION		DESIGNED FROM		REVIEW
		FPS Automation		A
GENERAL TOLERANCE		DATE	WEIGHT	
UNI - ISO 2768		21/01/2022	0,189kg	
CLASSE f		DESCRIPTION	CODE	
		CA.SASG.20141825	CA.SASG.20141825	